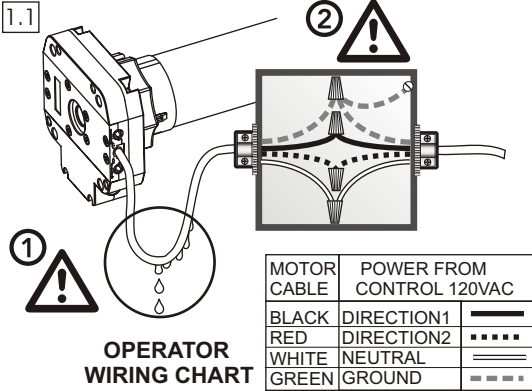


1 Wiring



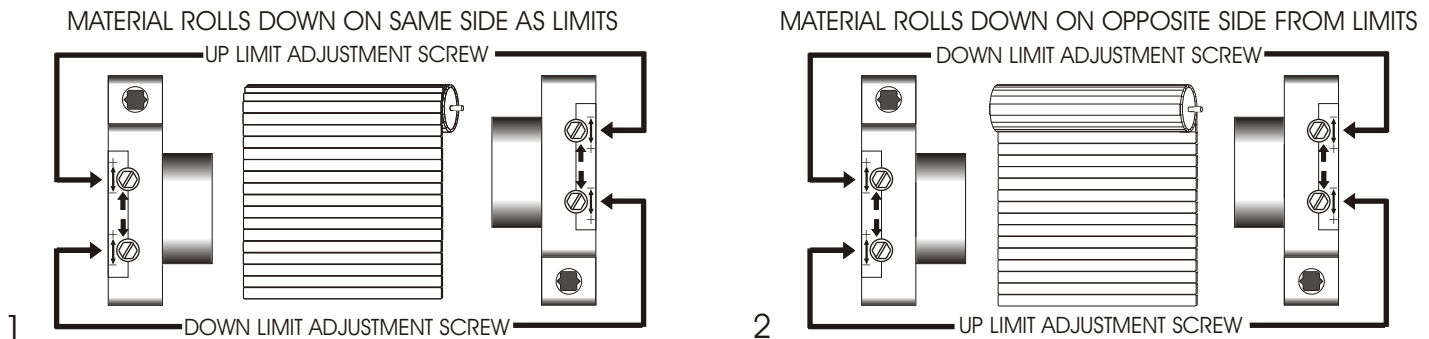
1.1 DMI Hz PERMANENT WIRING

All wiring must conform to the National Electrical Code and local codes

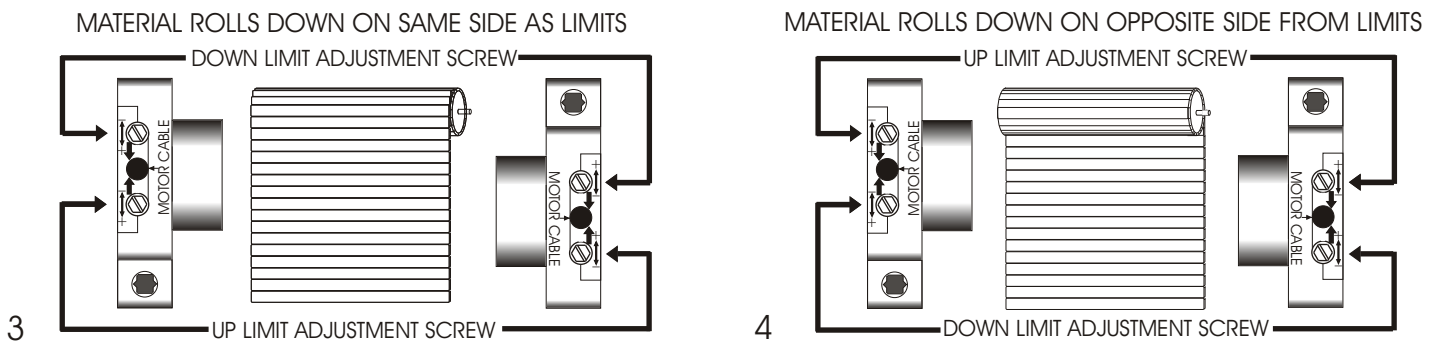
- (1) The motor must be installed with a drip loop to prevent water intrusion
- (2) Connect the motor to power using a Listed junction box with appropriate cable strain reliefs.
- It is recommended a method of power disconnect for each motor be placed within sight of the motor to cut power during servicing.
- Do not use the motor cable to penetrate building walls. Connect the motor to power in a Listed junction box and from the Listed junction box run power in the manner proscribed by NEC and local codes.

2 Setting the Limits

LIMIT ADJUSTMENT SCREWS ON OPPOSITE SIDE FROM MOTOR CABLE



LIMIT ADJUSTMENT SCREWS ON SAME SIDE AS MOTOR CABLE



- 2.1 Identify which limit adjustment screw controls the up limit and which controls the down limit (see above diagrams). It is important to note that the arrows by the limit adjustment screw refer to the tube's rotation. Thus if the material comes off the tube on the back side and you are adjusting the limits from the side that the motor cable is not on (as per diagram 2), the limit adjustment screw with the arrow facing up controls the down limit and vice versa.
- 2.2 Turning an adjustment screw positive (+) will increase the maximum travel in the direction that it controls, and turning it negative (-) will decrease the maximum travel. **For the adjustment screws on the side without the motor cable**, turning clockwise is positive (+) and counterclockwise is negative (-). **For the adjustment screws on the side with the motor cable**, turning clockwise is negative (-) and counterclockwise is positive (+)
- 2.3 To set a limit, run the motor in the selected direction.
- 2.4 If the motor stops on its own before reaching the desired stop, turn the appropriate limit screw positive. Every 2 to 3 turns of the limit adjustment screw will allow the motor to travel about 1 inch further. After every few turns of the limit adjustment screw, use the control switch to move the motor to the new limit position. (If the motor does not stop on its own before reaching the desired limit, go to step 6)
- 2.5 When you are approximately at the desired limit position, use the control switch to run the motor away from the limit 2 to 3 feet, and then back. This will allow you to see precisely where the limit is set. Make small adjustments and repeat.
- 2.6 If the motor does not stop on its own at least 6 inches before the desired limit position, stop the motor with the control switch. Then turn the limit adjustment screw in the negative direction. Confirm that the motor is stopped at the limit and set the limit as per steps 4 and 5. If the motor is not stopped at the limit, continue turning the limit adjustment screw (up to 120 turns may be required)

NOTE: The motor has a built in thermal cutoff. If after several minutes of use the motor will not run in either direction, allow the motor to cool for approximately 20 minutes.

Wiring for one motor and one toggle switch

NOTICE: For installation by a qualified electrician in accordance with national and local electrical codes, and the following instructions.

CAUTION: RISK OF ELECTRICAL SHOCK. Disconnect power before installing. Never wire energized electrical components.

Select conductors having 90°C or higher rated insulation having sufficient ampacity in accordance with the 60°C column of National Electrical Code® Table 310-16 or Canadian Electrical Code Table 2

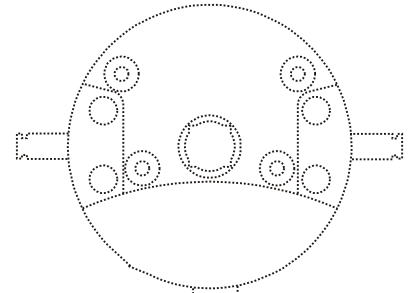
Terminal capacity: #14 AWG to #10 AWG

Strip conductors using strip gage on switch body. DO NOT USE TIN CONDUCTORS.

Warning

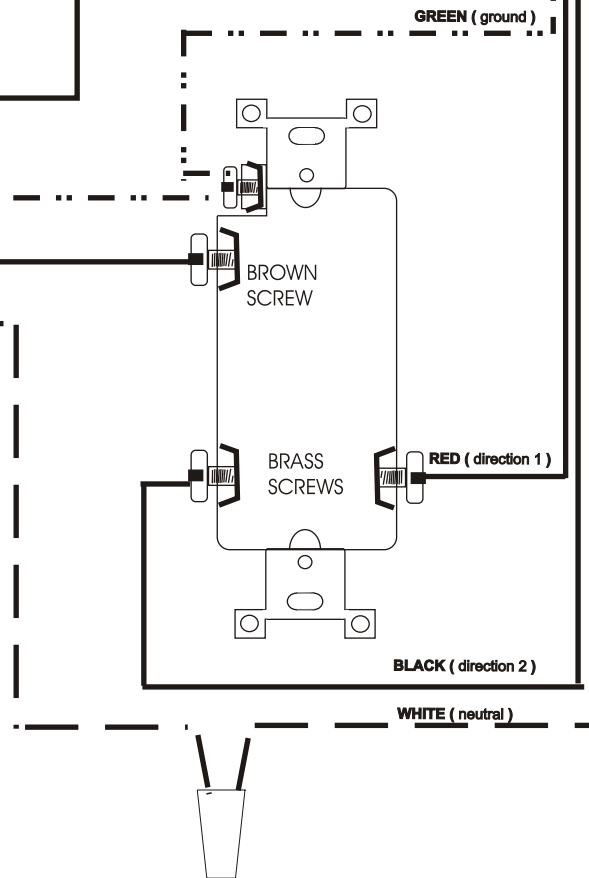
DO NOT wire more than one operator to a single pole switch. A second operator can be wired to the second pole of a double pole switch.

DO NOT connect two switches to an operator without a relay.



Power from wall

GREEN (ground)
 BLACK (120v - 60hz)
 WHITE (neutral)



Power in		
Hot	Black	—————
Neutral	White	- - - - -
Ground	Green	- · - · - · - · - · - ·
Motor Leads		
Direction 1	Red	—————
Direction 2	Black	—————
Neutral	White	- - - - -
Ground	Green	- · - · - · - · - · - ·

NOTICE: For installation by a qualified electrician in accordance with national and local electrical codes, and the following instructions.

CAUTION: RISK OF ELECTRICAL SHOCK. Disconnect power before installing. Never wire energized electrical components.

Select conductors having 90°C or higher rated insulation having sufficient ampacity in accordance with the 60°C column of National Electrical Code® Table 310-16 or Canadian Electrical Code Table 2

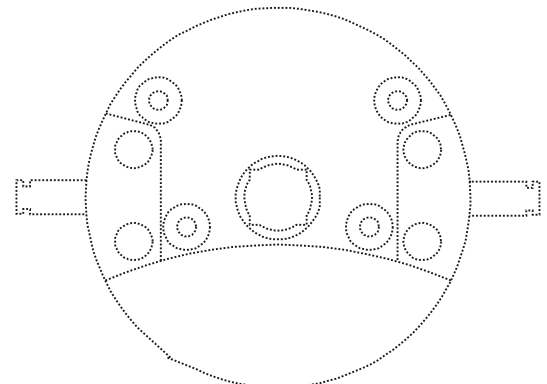
DO NOT USE TIN CONDUCTORS.

Warning

DO NOT wire more than one operator to a single pole switch. A second operator can be wired to the second pole of a double pole switch.

DO NOT connect two switches to an operator without a relay.

Wiring for one motor and one rocker switch

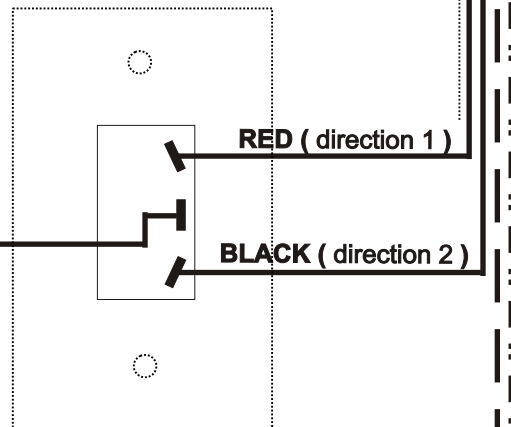


Power from wall

BLACK (120v - 60hz)

WHITE (neutral)

GREEN (ground)

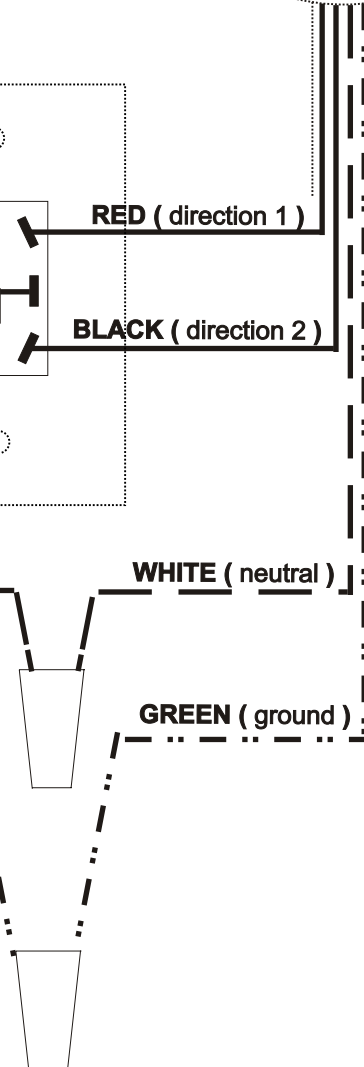


WHITE (neutral)

GREEN (ground)

Power in		
Hot	Black	—————
Neutral	White	- - - - -
Ground	Green	- · - · - · - · - · - ·

Motor Leads		
Direction 1	Red	—————
Direction 2	Black	—————
Neutral	White	- - - - -
Ground	Green	- · - · - · - · - · - ·



Wiring for one motor and one designer switch

NOTICE: For installation by a qualified electrician in accordance with national and local electrical codes, and the following instructions.

CAUTION: RISK OF ELECTRICAL SHOCK. Disconnect power before installing. Never wire energized electrical components.

Select conductors having 90°C or higher rated insulation having sufficient ampacity in accordance with the 60°C column of National Electrical Code® Table 310-16 or Canadian Electrical Code Table 2

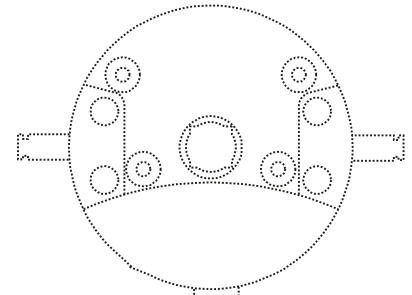
Terminal capacity: #14 AWG to #10 AWG

Strip conductors using strip gage on switch body. DO NOT USE TIN CONDUCTORS.

Warning

DO NOT wire more than one operator to a single pole switch. A second operator can be wired to the second pole of a double pole switch.

DO NOT connect two switches to an operator without a relay.



Power from wall

GREEN (ground)

BLACK (120v - 60hz)

WHITE (neutral)

GREEN (ground)

RED (direction 1)

BLACK (direction 2)

WHITE (neutral)

Power in		
Hot	Black	—————
Neutral	White	- - - - -
Ground	Green	- · - · - · - · - · - ·
Motor Leads		
Direction 1	Red	—————
Direction 2	Black	—————
Neutral	White	- - - - -
Ground	Green	- · - · - · - · - · - ·

