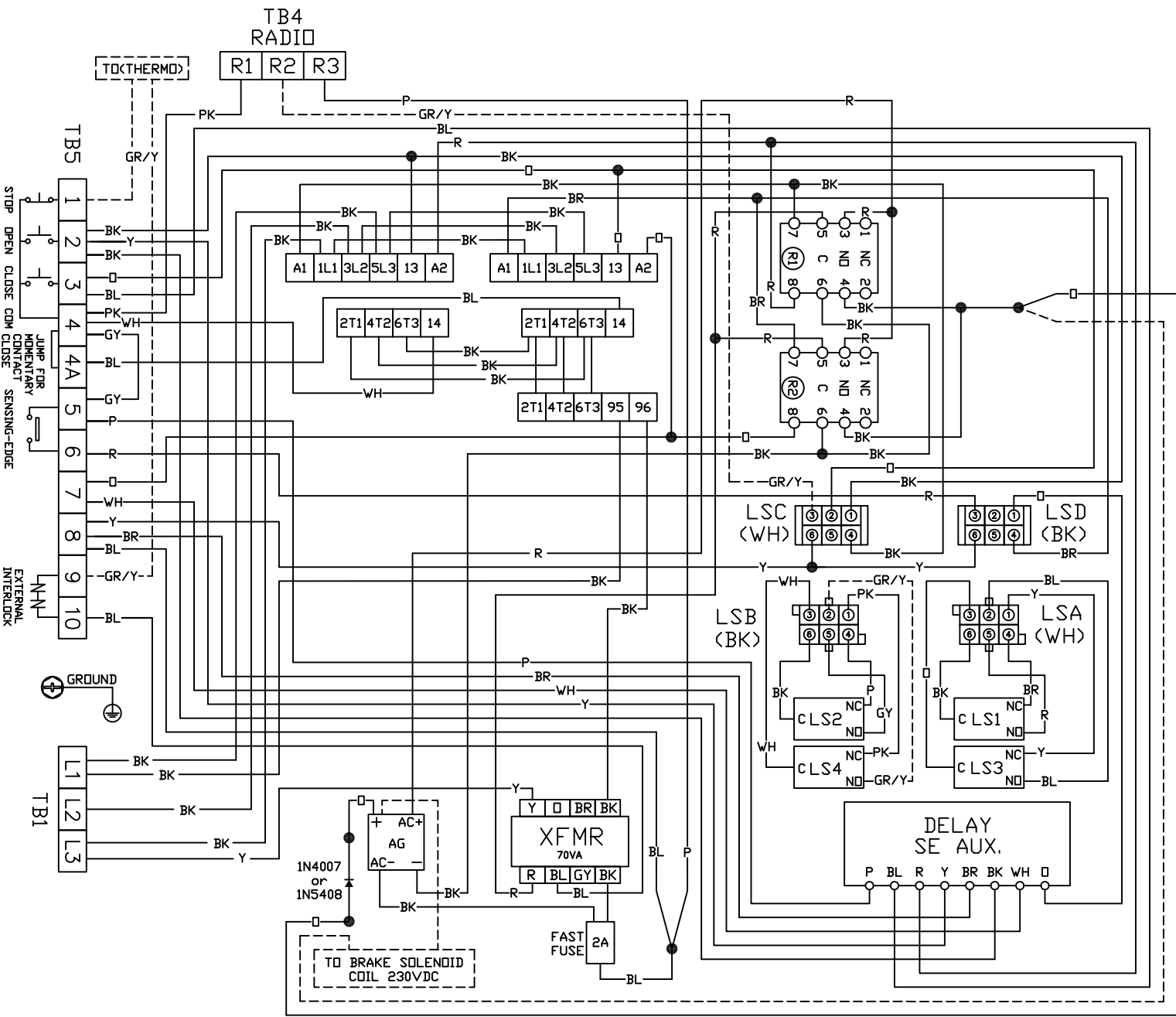
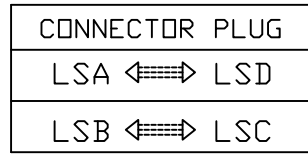


SG Operator 460VAC 3 Phase Right Hand For 1/2HP, 3/4HP, 1HP and 11/2HP

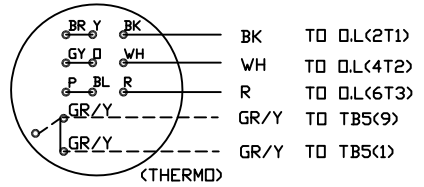
ED409 R



- NOTES:**
- R1-OPEN RELAY (COIL 24VAC)
 - R2-CLOSE RELAY (COIL 24VAC)
 - LSA-LS1 & LS3 MICROSWITCH CONNECTOR
 - LSB-LS2 & LS4 MICROSWITCH CONNECTOR
 - LSC-OPEN CONTROL CONNECTOR
 - LSD-CLOSE CONTROL CONNECTOR



- TERMINAL NUMBER:**
- 1 CONTROL STATION-STOP
 - 2 CONTROL STATION-OPEN
 - 3 CONTROL STATION-CLOSES
 - 4 CONTROL STATION-COMMON
 - 4&4A JUMP FOR MOMENTARY CONTACT CLOSE
 - 5&6 SENSING-EDGE (S.E.) CONNECTION
 - 7&8 DOOR CLOSING WARNING SIGNAL 24VAC
 - 9&10 EXTERNAL INTERLOCK



460V 3 PHASE
MOTOR CONNECTION

50;75; O.L RELAY= L
100;150; O.L RELAY= R