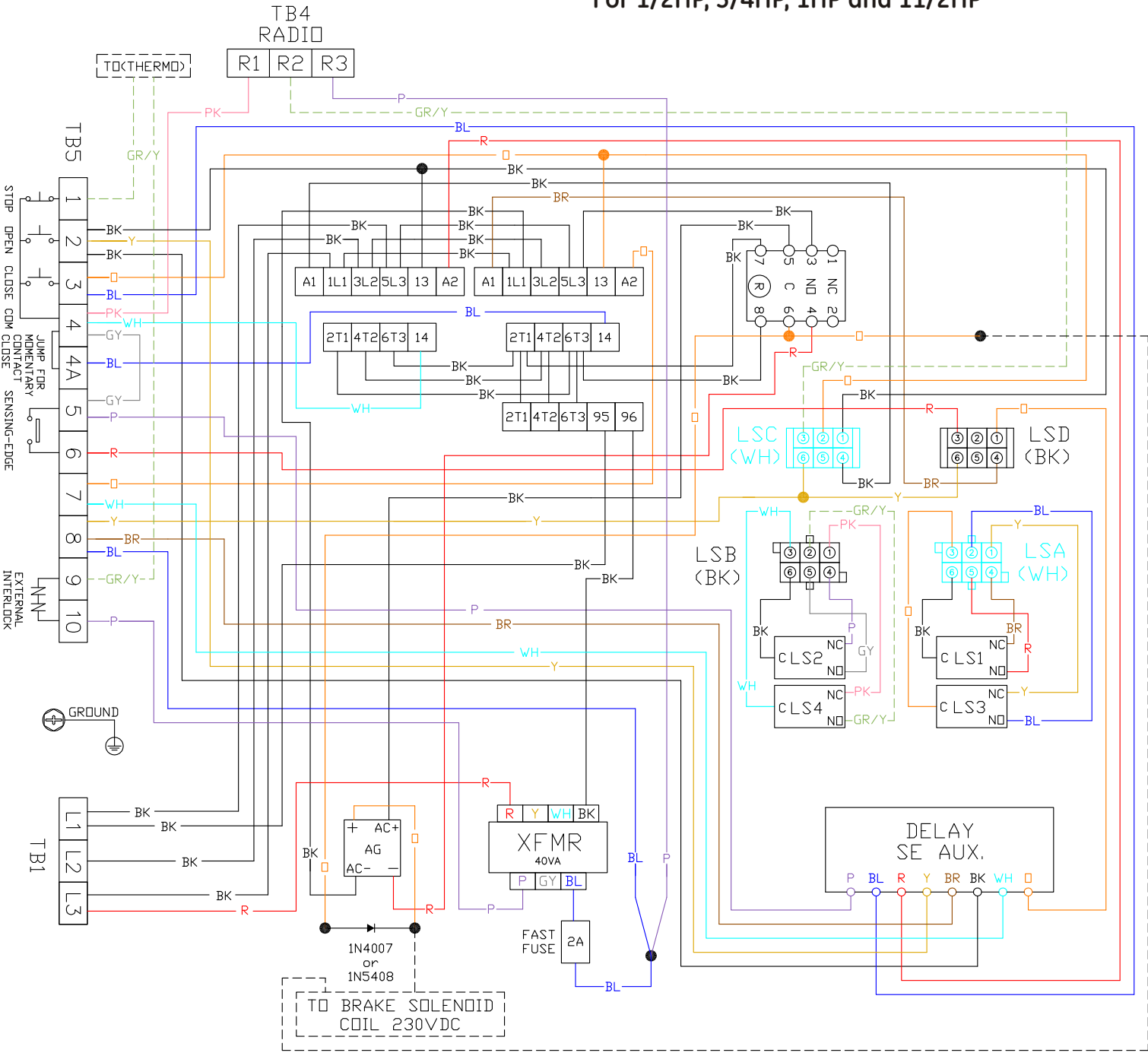


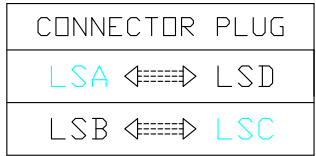
SG Operator 208 / 230VAC 3 Phase Right Hand

For 1/2HP, 3/4HP, 1HP and 11/2HP

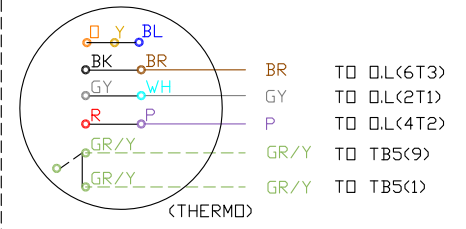
ED309 R



NOTES:
 R-BRAKE RELAY (COIL 220VAC)
 LSA-LS1 & LS3 MICROSWITCH CONNECTOR
 LSB-LS2 & LS4 MICROSWITCH CONNECTOR
 LSC-OPEN CONTROL CONNECTOR
 LSD-CLOSE CONTROL CONNECTOR



TERMINAL NUMBER:
 1 CONTROL STATION-STOP
 2 CONTROL STATION-OPEN
 3 CONTROL STATION-CLOSE
 4 CONTROL STATION-COMMON
 4&4A JUMP FOR MOMENTARY CONTACT CLOSE
 5&6 SENSING-EDGE (S.E.) CONNECTION
 7&8 DOOR CLOSING WARNING SIGNAL 24VAC
 9&10 EXTERNAL INTERLOCK



208V/230V 3 PHASE
 MOTOR CONNECTION

50;75; O.L RELAY= L
 100;150; O.L RELAY= R