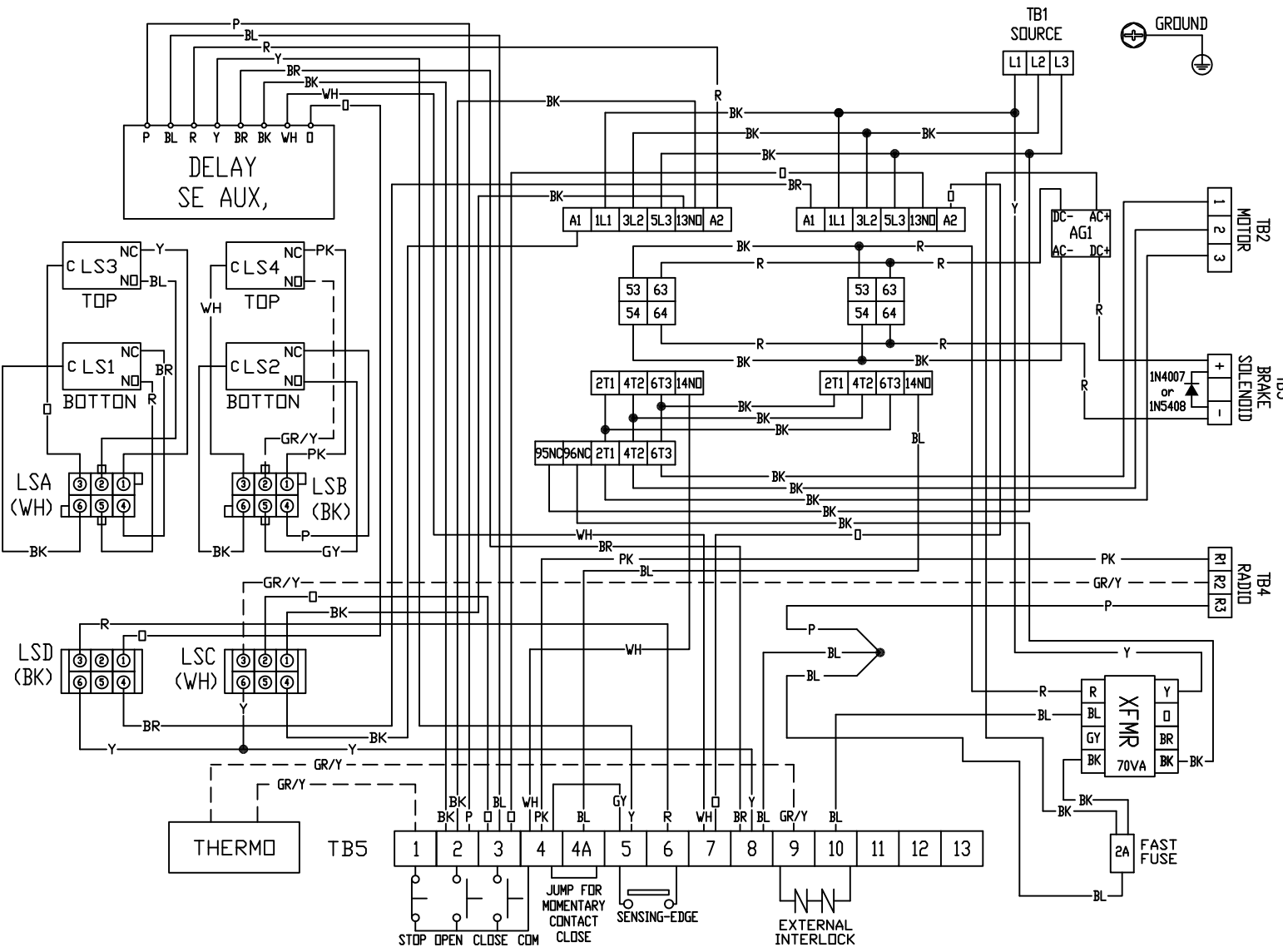
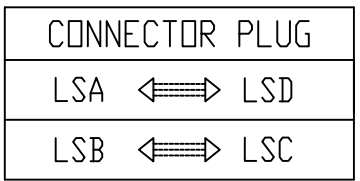


SG Operator 460VAC 3 Phase Right Hand For 2HP

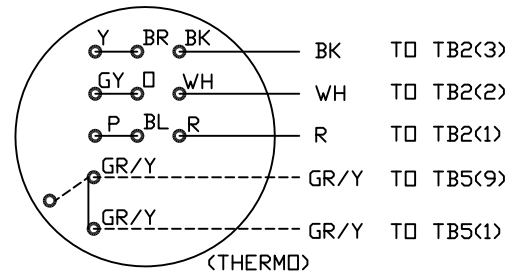


EDB406 R

NOTES:
 LSA-LS1 & LS3 MICROSWITCH CONNECTOR
 LSB-LS2 & LS4 MICROSWITCH CONNECTOR
 LSC-OPEN CONTROL CONNECTOR
 LSD-CLOSE CONTROL CONNECTOR



- TERMINAL NUMBER:
- 1 CONTROL STATION-STOP
 - 2 CONTROL STATION-OPEN
 - 3 CONTROL STATION-CLOSE
 - 4 CONTROL STATION-COMMON
 - 4&4A JUMP FOR MOMENTARY CONTACT CLOSE
 - 5&6 SENSING EDGE (S.E.) CONNECTION
 - 7&8 DOOR CLOSING WARNING SIGNAL 24VAC
 - 9&10 EXTERNAL INTERLOCK



460V 3 PHASE
MOTOR CONNECTION