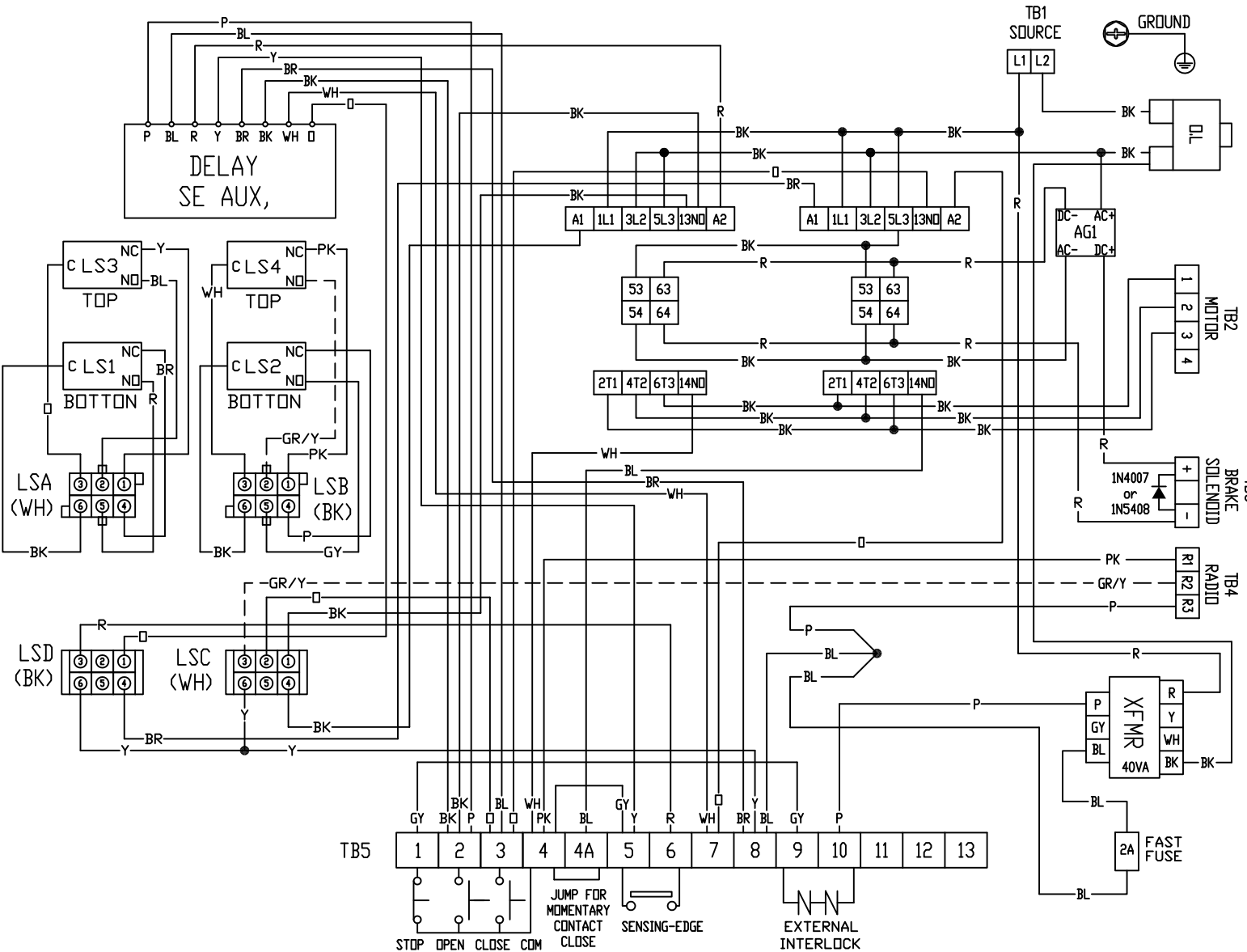


# SG Operator 208 / 230VAC 1 Phase Right Hand For 2HP

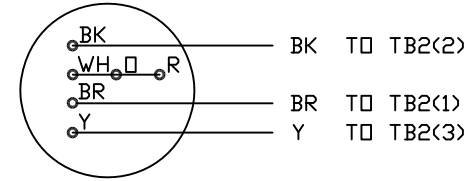


EDB506 R

- NOTES:**  
 LSA-LS1 & LS3 MICROSWITCH CONNECTOR  
 LSB-LS2 & LS4 MICROSWITCH CONNECTOR  
 LSC-OPEN CONTROL CONNECTOR  
 LSD-CLOSE CONTROL CONNECTOR

CONNECTOR PLUG		
LSA	↔ ↔ ↔	LSD
LSB	↔ ↔ ↔	LSC

- TERMINAL NUMBER:**  
 1 CONTROL STATION-STOP  
 2 CONTROL STATION-OPEN  
 3 CONTROL STATION-CLOSE  
 4 CONTROL STATION-COMMON  
 4&4A JUMP FOR MOMENTARY CONTACT CLOSE  
 5&6 SENSING EDGE (S.E.) CONNECTION  
 7&8 DOOR CLOSING WARNING SIGNAL 24VAC  
 9&10 EXTERNAL INTERLOCK



208V/230V 1 PHASE  
MOTOR CONNECTION