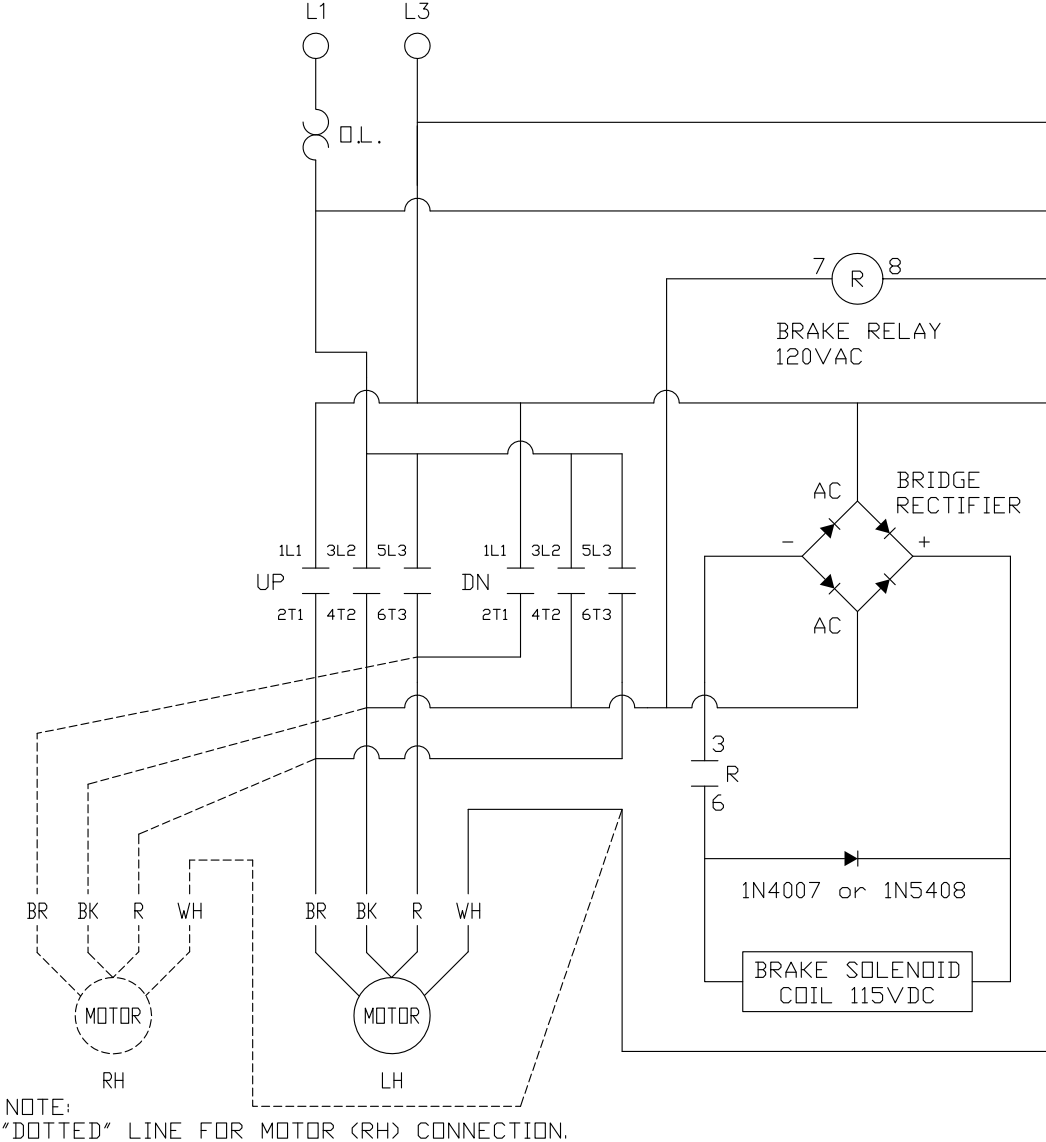


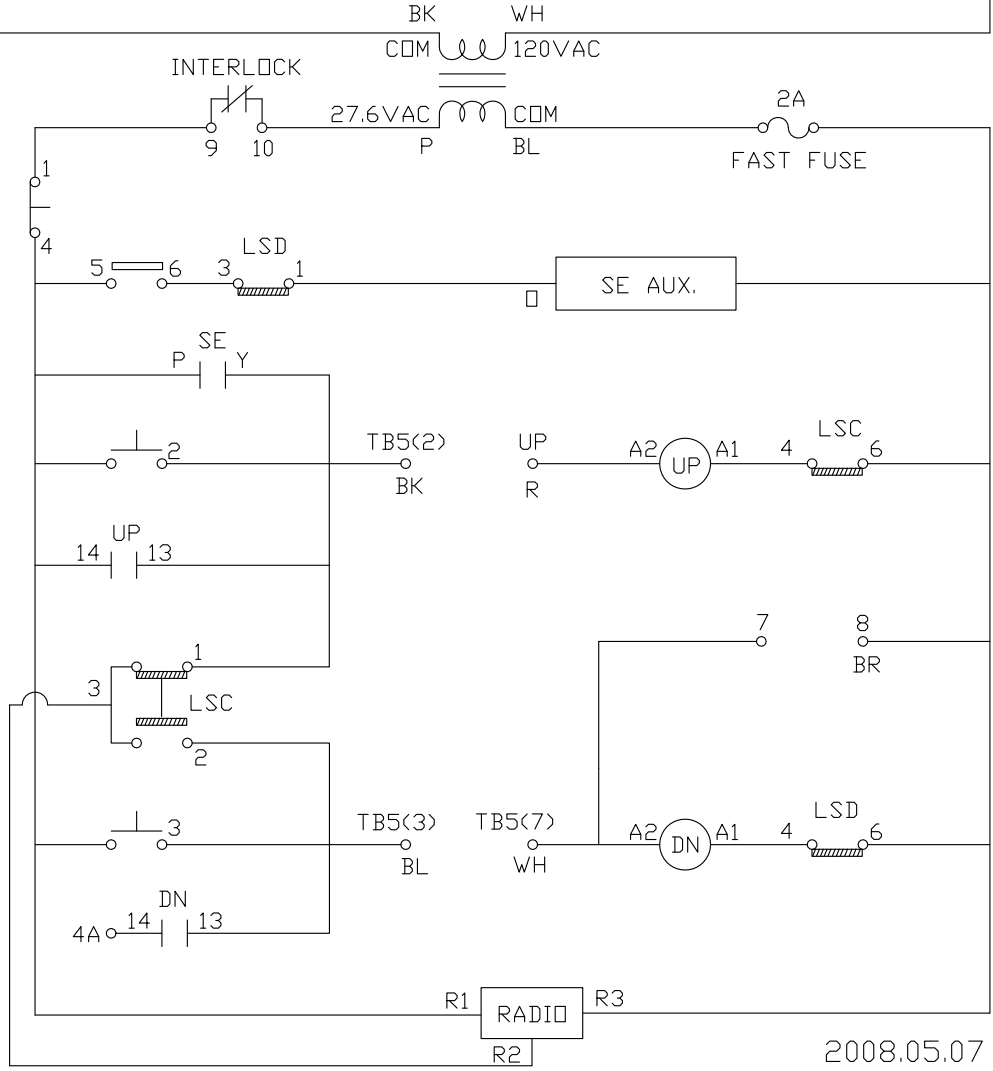
SG Operator 115VAC 1 Phase For 1/2HP, 3/4HP, 1HP and 1 1/2HP

CED 109



NOTE: "DOTTED" LINE FOR MOTOR (RH) CONNECTION.

| | | | | | | | | | | |
|---|---|---|---|----|---|---|---|---|---|----|
| 1 | 3 | 2 | 3 | 1 | 2 | 1 | 2 | 3 | 1 | 1 |
| 1 | 2 | 3 | 4 | 4A | 5 | 6 | 7 | 8 | 9 | 10 |



2008.05.07