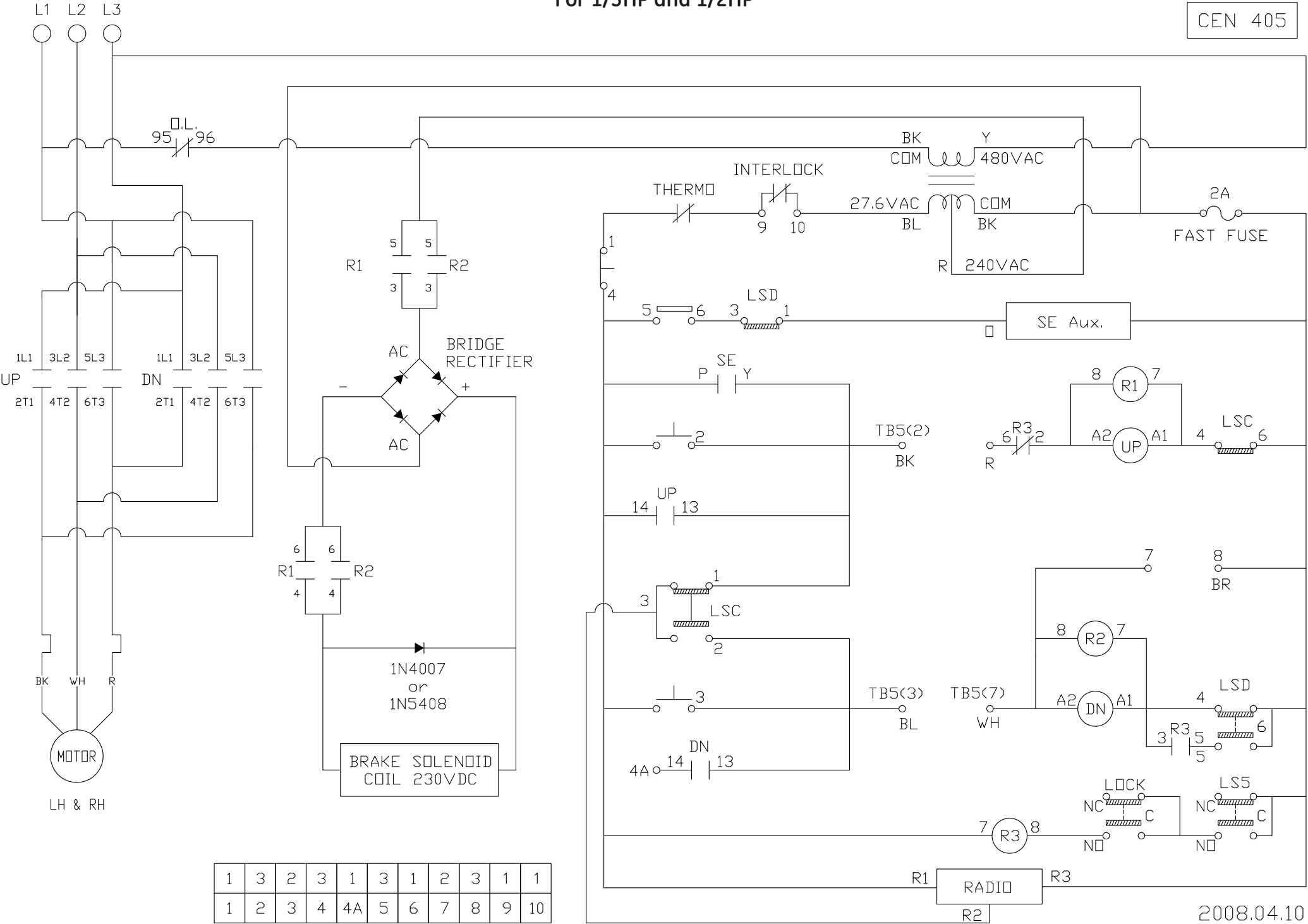


MG Operator with Lock Interlock 460VAC 3 Phase For 1/3HP and 1/2HP

CEN 405



1	3	2	3	1	3	1	2	3	1	1
1	2	3	4	4A	5	6	7	8	9	10