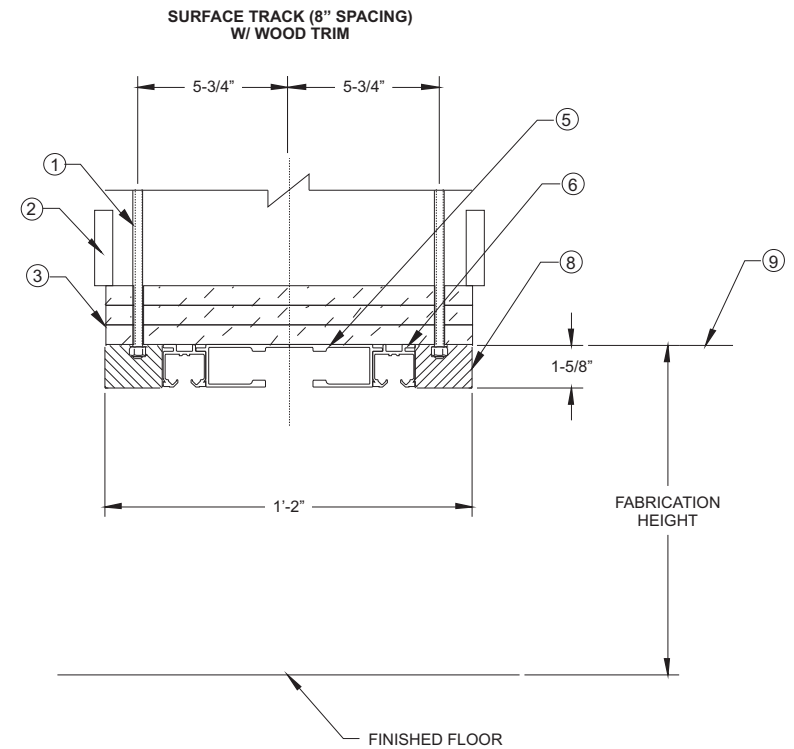
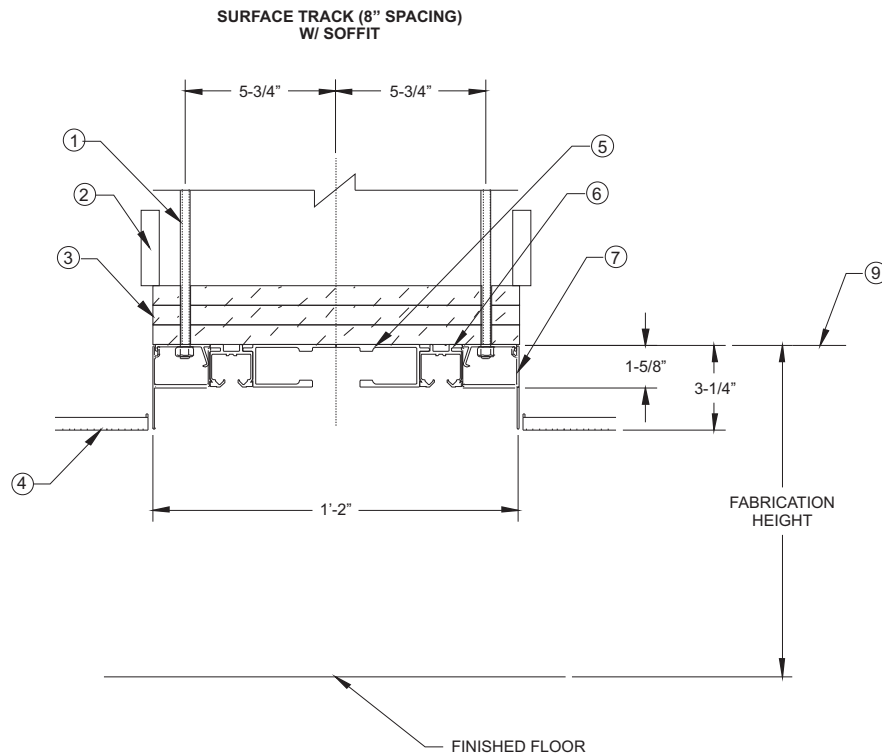


## SOUND KONTROL™, HEAD DETAILS - STABILIZER BAR REQUIRED DOORS ABOVE 14' - 0" FABRICATION HEIGHT



**KEY:**

1. 3/8" DIAMETER THREADED RODS WITH NUTS AND WASHERS ATTACHED TO STRUCTURAL SUPPORT ABOVE BY OTHERS (24" O.C. IN OPENING AND 12" O.C. IN STACK AREA).
2. INSULATE AS REQUIRED FOR SOUND ATTENUATION BY OTHERS.
3. (3) LAYERS 3/4" X 14" X CONTINUOUS PLYWOOD GLUED AND SCREWED TOGETHER WITH STAGGERED JOINTS BY OTHERS. HEADER MUST BE PARALLEL TO THE FLOOR WITH MAXIMUM TOLERANCE OF ±1/4".
4. CEILING BY OTHERS.
5. CHAIN GUIDE BY COOKSON.
6. TRACK BY COOKSON.
7. SOFFIT BY COOKSON (NOT REQUIRED FOR WOOD TRIM APPLICATION).
8. WOOD TRIM BY OTHERS.
9. TOP OF TRACK.

**NOTE:**

- FOLDING PARTITIONS GREATER THAN 14' IN HEIGHT REQUIRE AN INTERNAL STABILIZER BAR TO KEEP LEAD-POST STABILIZED DURING OPERATION. IN ORDER TO ALLOW ADEQUATE SPACE WITHIN THE PARTITION FOR THE STABILIZER BAR, A 14" WIDE HEADER IS REQUIRED.
- ALL TRACK AND CHAIN GUIDE IS TO BE FASTENED TO THE HEADER BY USING THE #10 X 2 1/2" FLAT HEAD FULL THREAD SCREWS PROVIDED WITH DOOR BY COOKSON.