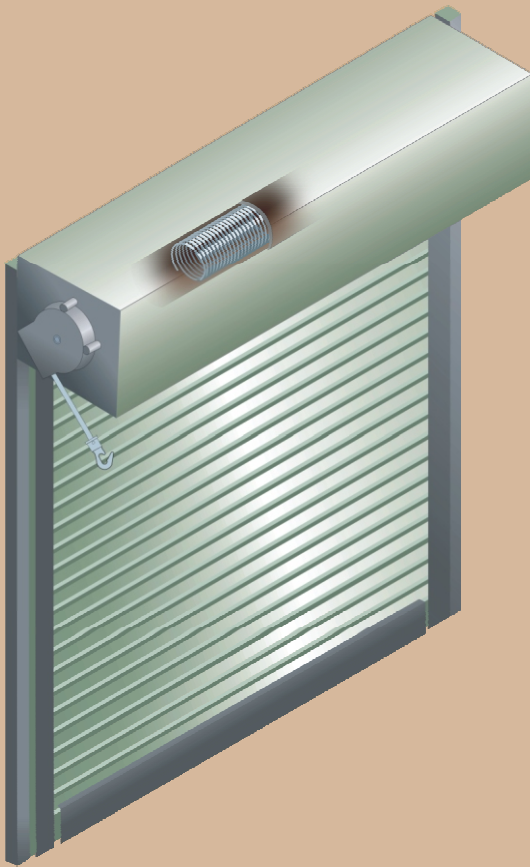


# SMOKE CONTROL COUNTER DOORS

22



## No Smoking

The compact Cookson Smoke Control Door is designed to obstruct the spread of smoke from one area of a building to another.

Leakage Rated Assembly

Tested in accordance with UL 1784 Air Leakage Test for Door Assemblies

Meets criteria in NFPA 105 Installation of Smoke Control Door Assemblies

Approved in sizes to 96 square feet not exceeding 12' wide and 9' high

Same features as the Counter Fire Doors

Choice of Finishes

FinalCote™ (Standard) (Tan, White, or Gray)

ColorCote™

180 Standard Colors (Optional)

Unlimited Custom Colors (Optional)

Stainless Steel #4 Polish

Choice of Operation

Push-Up - limit 9' wide

Crank

Motor

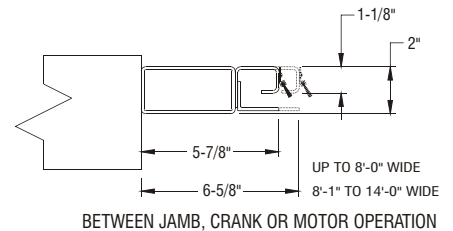
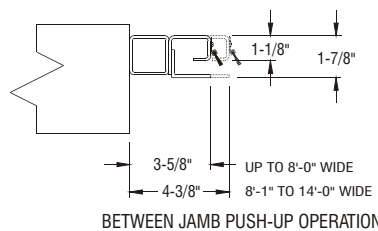
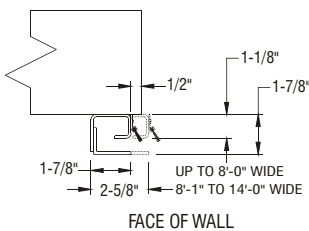
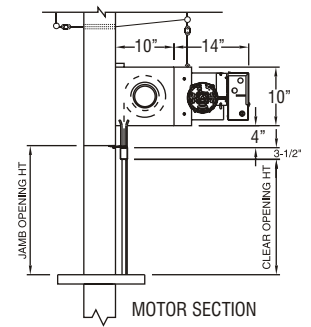
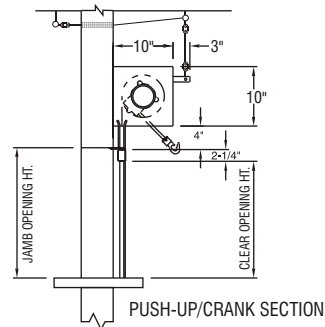
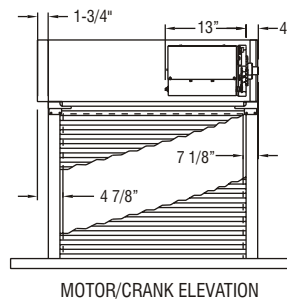
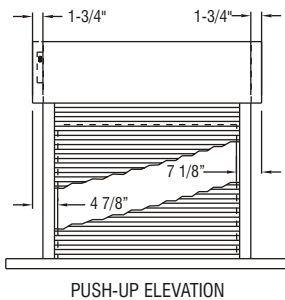
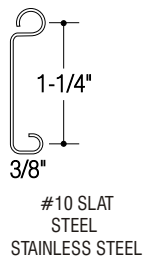
SMOKE CONTROL DOOR MODEL NUMBERS

	MOUNTING		OPERATION		SLAT	
	Face of Wall	Between Jamb	Push-Up	Crank	Steel	Stainless Steel
SD10-1	●	●	●	●	●	●
SD10-1SS	●	●	●	●	●	●
SD10-2	●	●	●	●	●	●
SD10-2SS	●	●	●	●	●	●
SD10-3	●	●	●	●	●	●
SD10-3SS	●	●	●	●	●	●
SD10-4	●	●	●	●	●	●
SD10-4SS	●	●	●	●	●	●

Labeled by Major Testing Agencies



## TYPICAL DETAILS



Dimensions shown are for initial design. For final design and specifications, visit [cooksondoor.com](http://cooksondoor.com).